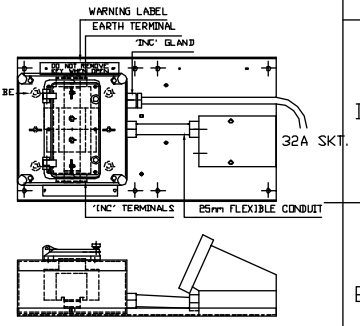
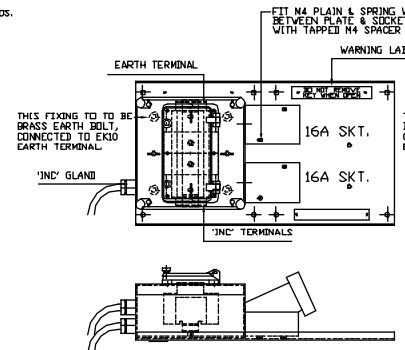
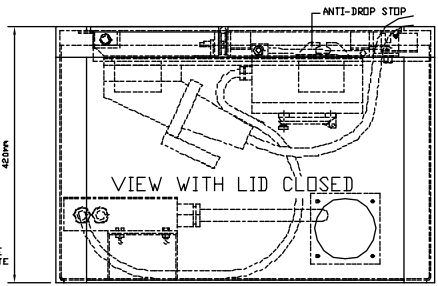
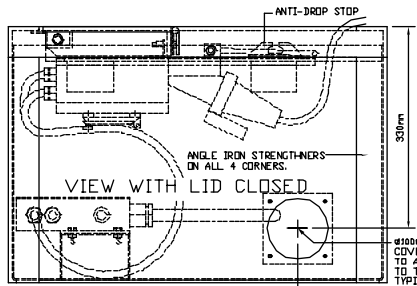
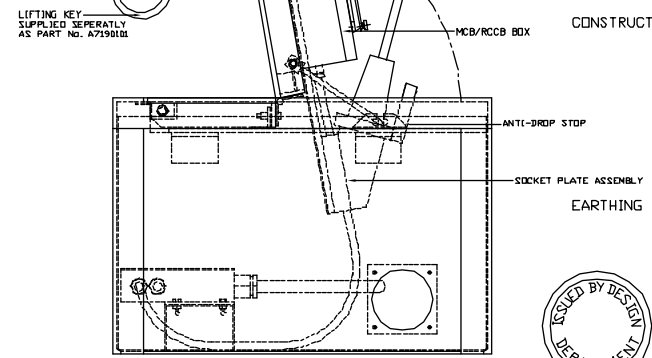
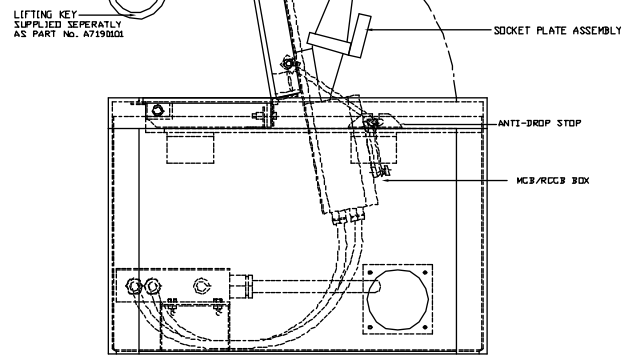


TYPICAL CONFIGURATION OF CABLE CHANGE BOX



16AMP, 110 OR 240 VOLT 1 & 2 WAY SKT. PLATE ASSEMBLY

32AMP, 110 OR 240 VOLT 1 WAY SKT. PLATE ASSEMBLY



16AMP, 110 OR 240VOLT 1 OR 2 WAY WALKWAY BOX

32AMP, 110 OR 240VOLT 1 WAY WALKWAY BOX



CUSTOMER INFORMATION COPY

CONSTRUCTION NOTES.

1. FIT 'BOLT DOWN' ANGLE IN POSITION SHOWN, RETAIN 1st LID WITH M6 HEX. BOLT THROUGH RELEVANT HINGE FIXING.
2. FIT STAY ASSEMBLY TO 2nd LID VIA M8 C/SK SCREWS WITH M8 PLAIN WASHER & M8 'NYLOCK' NUT RETAINING M8 SCREWS ON INSIDE OF LID.
3. ASSEMBLE LID LOCK PLATE TO LID BRACKET WITH M6 C/SK SCREW, USE M6 PLAIN WASHER BETWEEN PLATE & BRACKET AND RETAIN COMPLETE ASSY. WITH M6 NYLOC NUT, TIGHTEN UP UNTILL ASSY. IS FIRM BUT FREE TO ROTATE.
4. ENSURE ALL MOVING PARTS ARE WELL GREASED.
5. FIT 16A SKTS TO PLATE WITH M4 C/SK SCREWS.

EARTHING CONNECTIONS.

1. SOCKET PLATES - 1 OFF PLASTIC BOX FIXING TO BE AN EARTH BOLT, SEE ABOVE.
2. CABLE CHANGE BOX - M5 BRASS BOLT CONNECTED TO TERMINAL BLOCK EARTH CONNECTION, SEE ABOVE.

REV:	A	B															
EDR:	4163	4583															
UNLESS OTHERWISE STATED:- ALL DIMENSIONS IN MM. TOLERANCES TO H30052. FIXING STANDARD TO H30051 WIRING STANDARD TO H20051 WELDING STANDARD TO QAI 61.												MATERIAL	SEE NOTES	SIZE			
DO NOT SCALE THIS DRAWING. IF IN DOUBT, ASK TITLE												REF.	STANDARD	COPY ISSUED			
GENERAL ASSY. STANDARD WALKWAY BOX												ORIGINAL SCALE	1:6	DATE	18.05.07		
												DRN.	B.JONES	DRAWING No.	A13379	REVISION	B
												CHKD.					
												APPD.		SHEET	1 OF 1		

THIS DRAWING IS THE PROPERTY AND COPYRIGHT OF BLAKLEY ELECTRICS AND MUST NOT, WITHOUT THEIR WRITTEN CONSENT, BE PASSED ON, COPIED, OR USED FOR ANY OTHER PURPOSE.