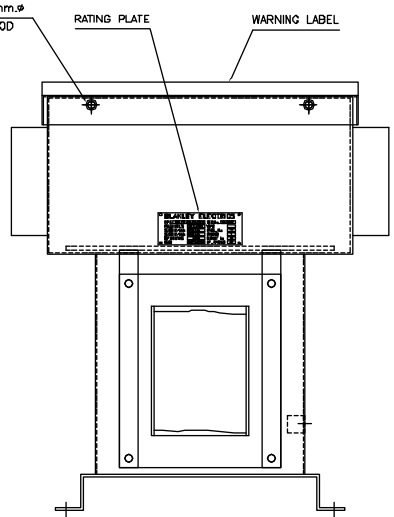
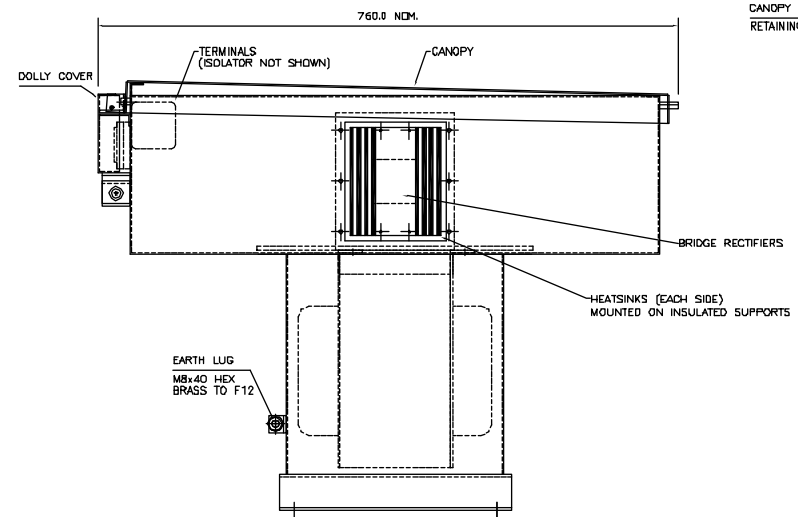
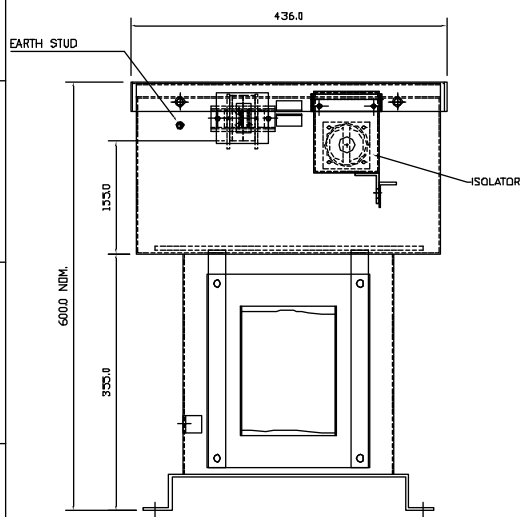
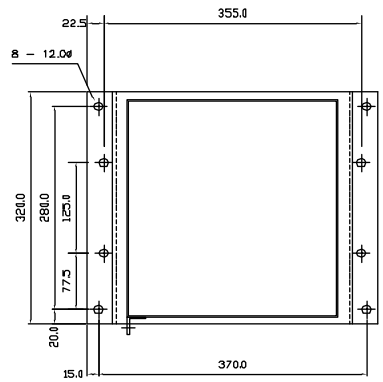


1 2 3 4 5 6 7 8 9 10 11 12

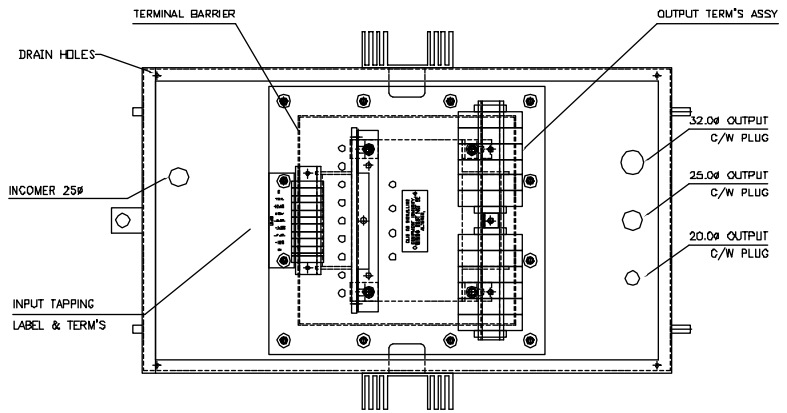
A B C D E F G H



TRANSFORMER
230/400V:89VDC
SECONDARY: DUAL OUTPUTS AT 5kVA EACH
UNSMOOTHED & EARTH FREE



BASE FIXING DETAILS



VIEW FROM TOP (CANOPY REMOVED)

- NOTES:
 1) ENCLOSURE MANUFACTURED FROM 316L STAINLESS STEEL.
 2) ENCLOSURE DESIGNED TO IP23.
 3) BRIDGE RECTIFIER CURRENT 100A NATURALLY VENTILATED.
 4) INCOMING CABLE TERMINATION DISTANCE (155mm) SUITABLE FOR 35mmSQ INCOMING CABLES.



CUSTOMER INFORMATION COPY

THIS DRAWING IS THE PROPERTY AND COPYRIGHT OF BLAKLEY ELECTRICS AND MUST NOT, WITHOUT THEIR WRITTEN CONSENT, BE PASSED ON, COPIED, OR USED FOR ANY OTHER PURPOSE.

REV:	A	B	C																	
EDR:	4509	4592	5029																	
UNLESS OTHERWISE STATED:- ALL DIMENSIONS IN MM. TOLERANCES TO H30052 FIXING STANDARD TO H30051 WIRING STANDARD TO H20051 WELDING STANDARD TO QAI 61.												MATERIAL		SIZE						
DO NOT SCALE THIS DRAWING. IF IN DOUBT, ASK												REF. STANDARD		COPY ISSUED						
TITLE GENERAL ASSEMBLY PHT/10/SH/PJ/DUAL/- /99VDC/IP23/**V/316L												ORIGINAL SCALE 1:5		DATE 13.07.09						
												DRN. RLL		DRAWING No. B15495						
												CHKD.		REVISION C						
												APPD.		SHEET 1 OF 1						

1 2 3 4 5 6 7 8 9 10 11 12 A2