

1 2 3 4 5 6 7 8

A

B

C

D

E

F

A

B

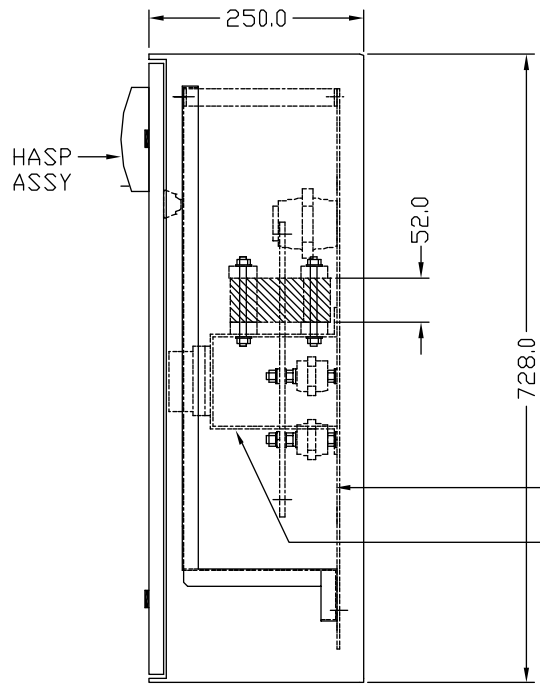
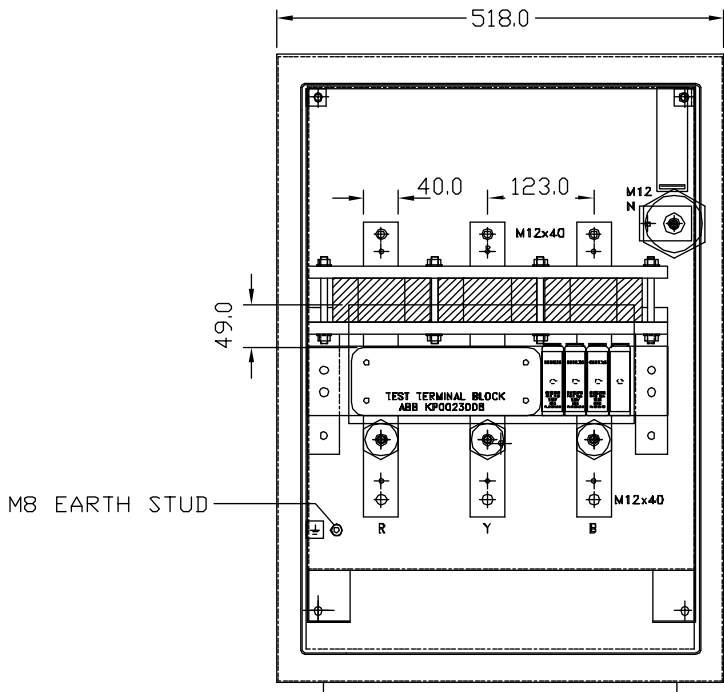
C

D

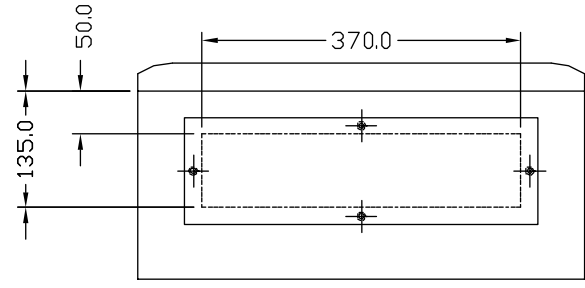
E

F

A3



BACKPLATE INSULATOR
INSULATE UPRIGHTS USING BLACK HEATSHRINK



UNDERSIDE OF INCOMING SECTION

- NOTES:-
- 1) CT LINKS TO BE HEATSHRINK SLEEVED IN THE APPROPRIATE PHASE COLOUR.
 - 2) POTENTIAL FUSES TO BE FED FROM BOTTOM END OF CT CHAMBER WITH CABLES LONG ENOUGH TO REACH EITHER END OF BARS.
 - 3) CABLING TO NEUTRAL/FUSE HOLDERS TO ENTER BOTTOM OF HOLDERS.
 - 4) FIXING PITCHES EITHER 669(H) x 559(W) OR 769(H) x 459(W) DEPENDING ON ORIENTATION OF WALL MOUNTING LUGS (NOT SHOWN).
 - 5) FUSES TO BE 'NS' (FD) PATTERN, NEUTRAL LINK TO BE 'SS' (ED) PATTERN.
 - 6) DRILL TO FIT PAXLIN GLAND PLATE CENTRALLY OVER SLOT IN UNDERSIDE OF UNIT AND FIX USING NYLON SCREWS.
 - 7) NOTE THAT SLOT IN INSET PANEL IS OFFSET TO PERMIT ACCESS TO CT CONNECTIONS.
 - 8) SRBP SUPPORT BRACKET'S TO BE INSULATED WITH BLACK HEATSHRINK SLEEVING
 - 9) CONNECTION ARRANGEMENT OF NEUTRAL BARREL TO BE IN ACCORDANCE WITH FIG.26 OF THE ENGINEERING MANUAL USING AN M12X60 STUD.

THIS DRAWING IS THE PROPERTY AND COPYRIGHT OF BLAKLEY ELECTRICS AND MUST NOT, WITHOUT THEIR WRITTEN CONSENT, BE PASSED ON, COPIED, OR USED FOR ANY OTHER PURPOSE.



CUSTOMER INFORMATION COPY

REV:	A	B	C	D	E	F	G	H	J				
EDR:	3622	3737	3812	3912	4467	4676	4678	4912	4918				
UNLESS OTHERWISE STATED:- ALL DIMENSIONS IN MM. TOLERANCES TO H30052 FIXING STANDARD TO H30051 WIRING STANDARD TO H20051 WELDING STANDARD TO QAI 61.											MATERIAL	SIZE	
DO NOT SCALE THIS DRAWING. IF IN DOUBT, ASK											REF. 030096	COPY ISSUED	
TITLE CT CHAMBER 400A ALL INSULATED											ORIGINAL SCALE 1:5		
											DATE 15.01.2009		REVISION J
											DRN. JML		DRAWING No. C11846
											CHKD.		
											APPD.	SHEET 1 OF 1	

1 2 3 4 5 6 7 8