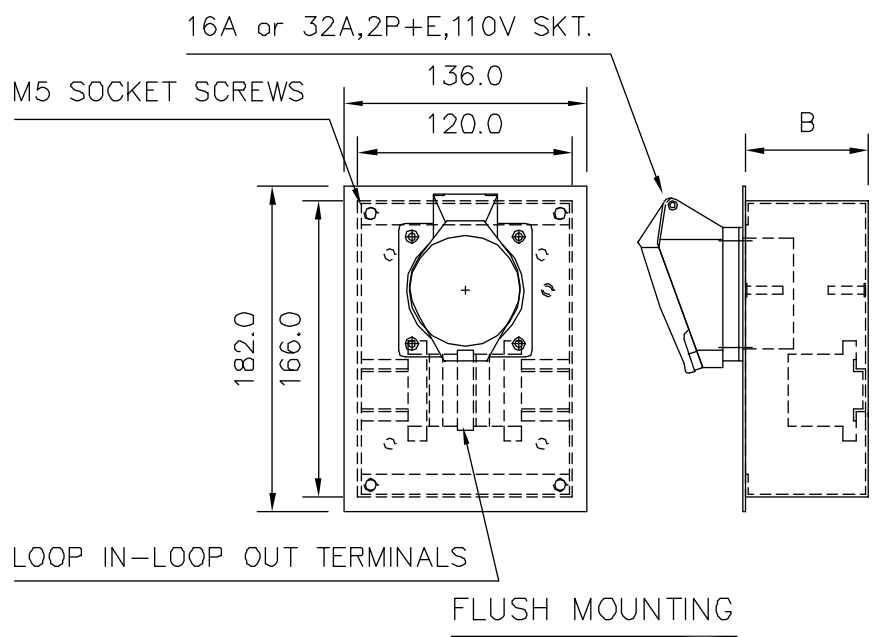
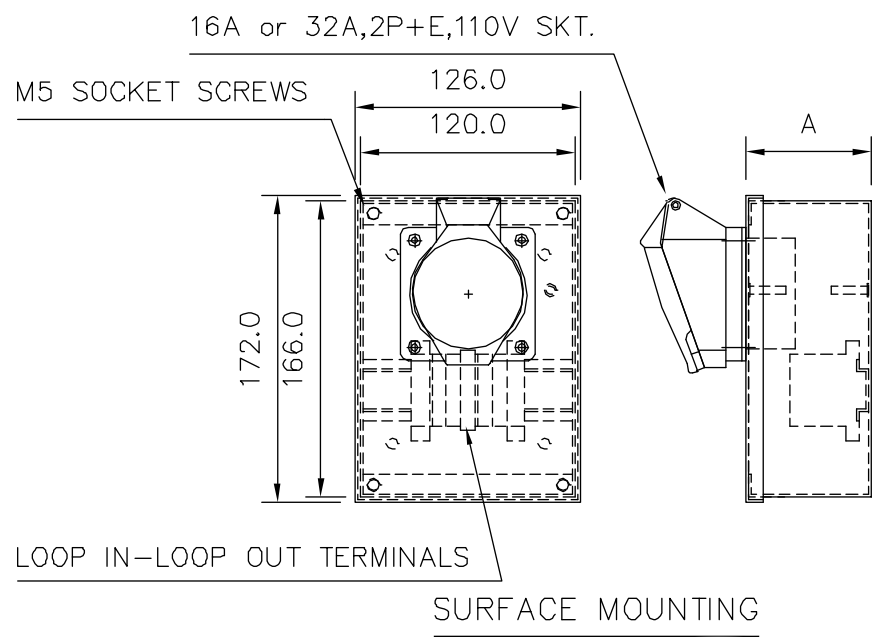


1 2 3 4 5 6 7 8

A
B
C
D
E
F



GENERAL

- FRONT COVER FIXED WITH M5 'ALLEN' SCREW
- SOCKET FIXED WITH M4 'ALLEN' SCREW
- ALL GASKETS - TECHNIX TR5 FLAME RETARDANT
- ALL WIRING - BS7211 OHLS CABLE

FINISHES

- 1) BACK BOX & FRONT PLATE - WHITE - LUL APPROVED PAINT SYSTEM
- 2) BACK BOX AS 1 ABOVE, FRONT PLATE - BRUSHED STAINLESS STEEL.

DEPTH DIMENSIONS

- DIMENSION A FOR 16A SOCKET = 70.5
- DIMENSION A FOR 32A SOCKET = 85.5
- DIMENSION B FOR 16A SOCKET = 69.0
- DIMENSION B FOR 32A SOCKET = 84.0



CUSTOMER INFORMATION COPY

REV:	A	B	C																	
EDR:	4154	4156	4607																	
UNLESS OTHERWISE STATED:- ALL DIMENSIONS IN MM. TOLERANCES TO H30052 FIXING STANDARD TO H30051 WIRING STANDARD TO H20051 WELDING STANDARD TO QAI 61.										MATERIAL		-		SIZE						
DO NOT SCALE THIS DRAWING. IF IN DOUBT, ASK										REF. STANDARD		COPY ISSUED								
TITLE GENERAL ASSY SMB VARIANTS FOR LUL										ORIGINAL SCALE 1:3		DATE 03.07.07		BLAKLEY ELECTRICS LIMITED		DRAWING No. C14894		REVISION C		
										DRN. B.JONES										
										CHKD.										
										APPD.				SHEET 1 OF 1						

THIS DRAWING IS THE PROPERTY AND COPYRIGHT OF BLAKLEY ELECTRICS AND MUST NOT, WITHOUT THEIR WRITTEN CONSENT, BE PASSED ON, COPIED, OR USED FOR ANY OTHER PURPOSE.

1 2 3 4 5 6 7 8 A3