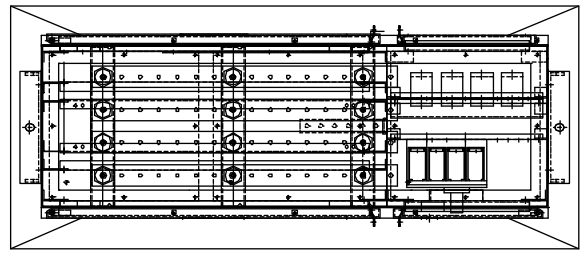


1 2 3 4 5 6 7 8

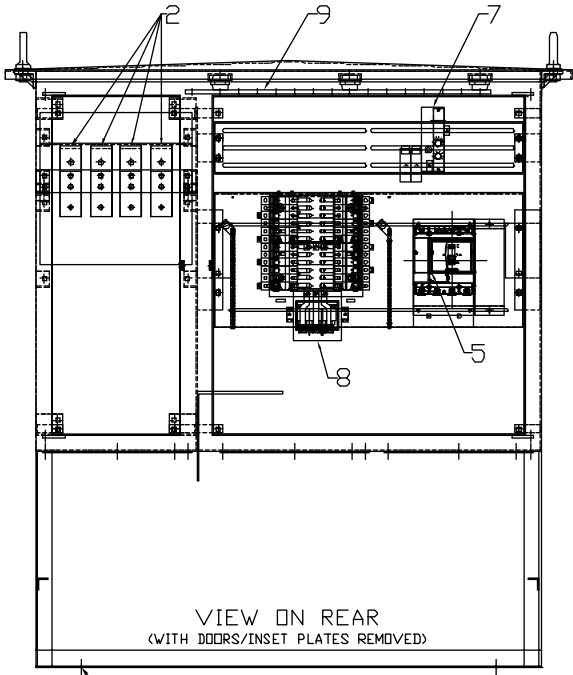
A

NOTES  
 TYPICAL IP RATING OF ASSEMBLY = IP44  
 APPROXIMATE WEIGHT OF UNIT = 220KG



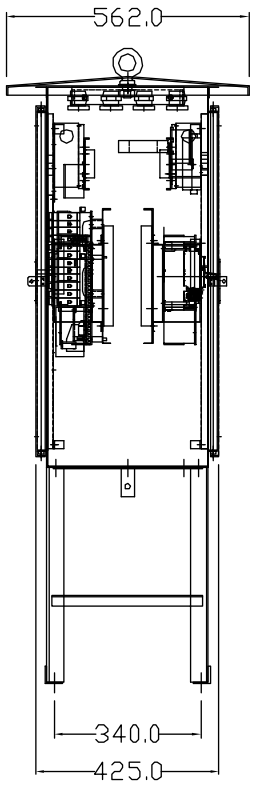
A

B

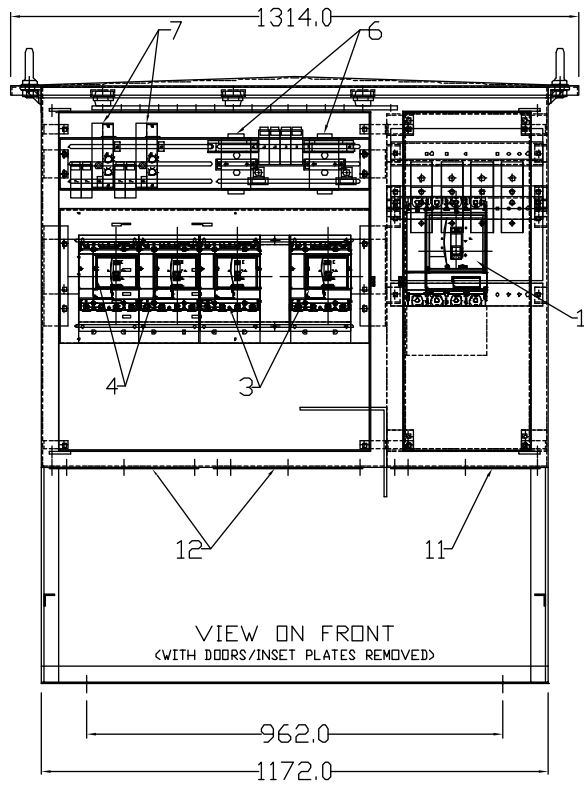


VIEW ON REAR  
 (WITH DOORS/INSET PLATES REMOVED)

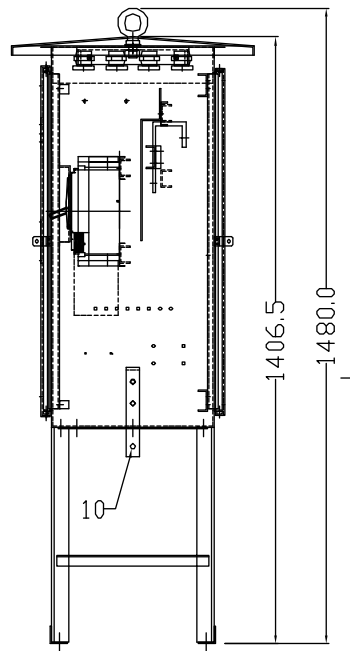
FLOOR FIXINGS (x4)  
 M12 CLEARANCE



VIEW ON L.H.S



VIEW ON FRONT  
 (WITH DOORS/INSET PLATES REMOVED)



VIEW ON R.H.S

B

C

D

E

COMPONENT IDENTIFICATION

1. INCOMING MCCB 630A 4P C/W VARIABLE ELECTRONIC TRIP
2. CUSTOMER INPUT CONNECTION POINTS. ACCEPTS UP TO 240mm<sup>2</sup> CSA CABLE
3. DISTRIBUTION MCCB 250A 4P C/W VARIABLE ELECTRONIC TRIP
4. DISTRIBUTION MCCB 160A 4P C/W VARIABLE ELECTRONIC TRIP
5. PAN ASSEMBLY PROTECTION MCCB C/W 160A VARIABLE THERMAL MAGNETIC TRIP
6. VARIABLE RCD UNIT PROTECTING 250A MCCBs
7. VARIABLE EARTH LEAKAGE SENSORS PROTECTING 100A AND 160A MCCBs
8. B WAY TP+N PAN ASSEMBLY ACCEPTS SP, DP + TP MCCB'S (TYPE B, C OR D)
9. 25KA ASTA RATED DISTRIBUTION BUSBAR SET
10. EARTH BOND POINT (M12)
11. INCOMER GLAND PLATE - SUPPLIED UNDRILLED
12. DISTRIBUTION GLAND PLATE - SUPPLIED UNDRILLED
13. INCOMING DOOR HASP TO BE SUPPLIED LOOSE HOLES IN DOOR FLANGE TO BE FITTED WITH APPROPRIATE FIXINGS TO ALLOW CUSTOMER TO FIT HASP IF REQUIRED.



CUSTOMER  
 INFORMATION  
 COPY

E

F

THIS DRAWING IS THE PROPERTY AND COPYRIGHT OF BLAKLEY ELECTRICS AND MUST NOT, WITHOUT THEIR WRITTEN CONSENT, BE PASSED ON, COPIED, OR USED FOR ANY OTHER PURPOSE.

REV:	A	B	C						
EDR:	4605	4990	5081						
UNLESS OTHERWISE STATED:- ALL DIMENSIONS IN MM. TOLERANCES TO H30052 FIXING STANDARD TO H30051 WIRING STANDARD TO H20051 WELDING STANDARD TO QAI 61.							MATERIAL		SIZE
DO NOT SCALE THIS DRAWING. IF IN DOUBT, ASK							REF. STANDARD	COPY ISSUED	
TITLE GEN. ARRANGEMENT FOR B52/ITC/MC630-4P/ MC5-RCD/MGPA8							ORIGINAL SCALE 1:12	<b>BLAKLEY</b> ELECTRICS LIMITED	
							DATE 18.09.09		
							DRN. B.W.		
							CHKD.		
							APPD.	SHEET 1 OF 1	

F

1 2 3 4 5 6 7 8

A3