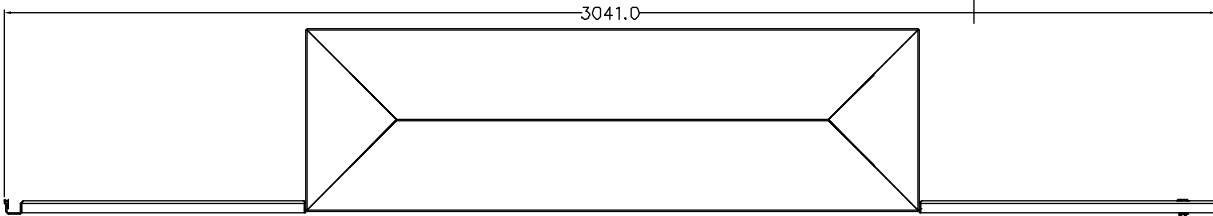


1 2 3 4 5 6 7 8

A

A

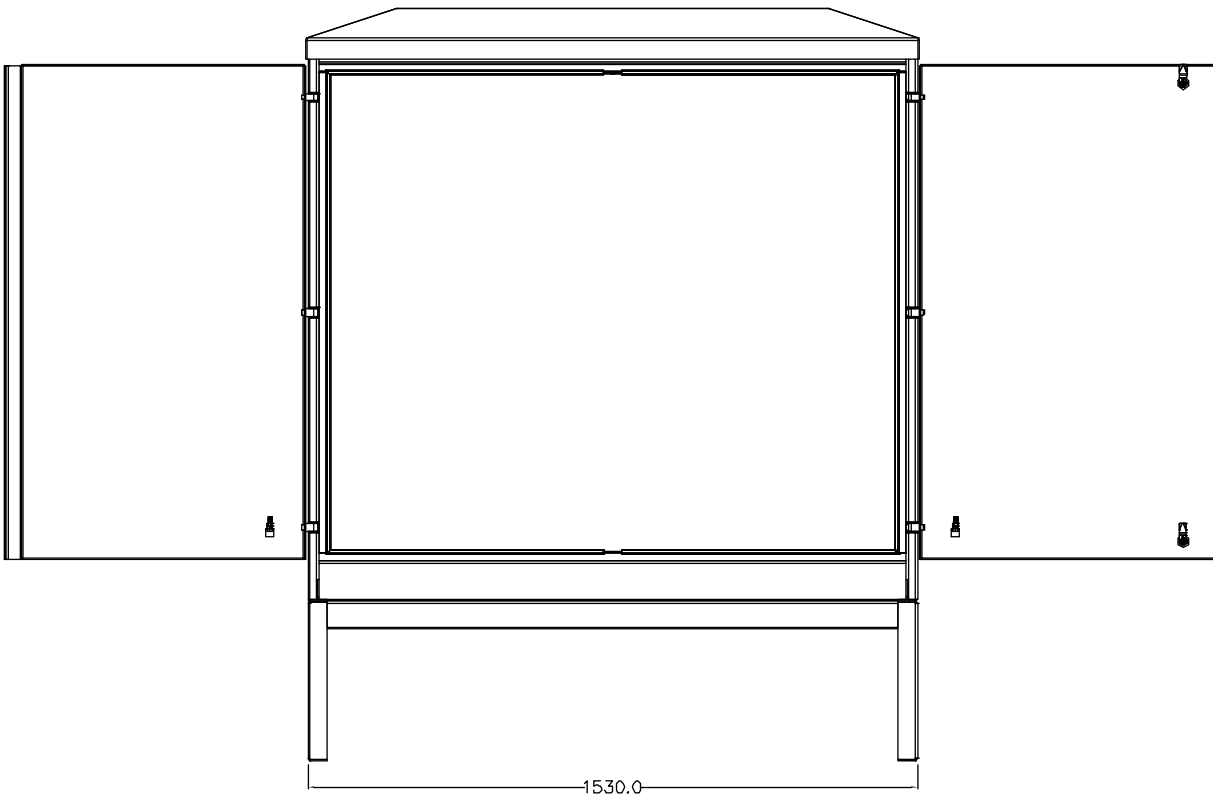


VIEW ON TOP

- STANDARD FORM**
1. MATERIAL: 3.0mm MILD STEEL
 2. FINISH: HOT DIPPED GALVANISED TO BS EN ISO 1461
 3. DOOR LOCKS: TRIANGULAR KEY
 4. BACKBOARD: 18mm THICK TIMBER, WATER REPELLENT
 5. HINGES: STAINLESS STEEL
 6. DOOR APERTURES: FULLY GASKETED
 7. ROOT: FULLY DETACHABLE
 8. I.P RATING: IP54
 9. GLAND PLATES: NO FACILITY
 10. REMOVEABLE LIFTING EYES

B

B



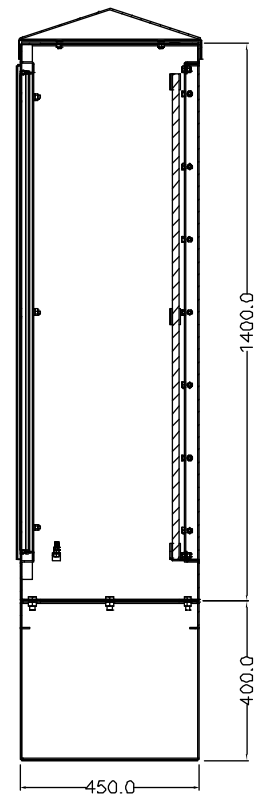
VIEW ON FRONT

- OPTIONAL EXTRAS**
- | | |
|--|-------|
| 1. DOOR LOCKS: KEYLOCKS (EMKA) | / KL |
| 3-POINT LOCKING (EMKA) | / 3PL |
| YALE LOCK | / YL |
| PADLOCKABLE (EMKA) | / PL |
| 2. ADDITIONAL PAINT FINISH: (ADVISE BY CUSTOMER) | / PF |
| 3. INSET PLATE FIXINGS: | / IP |
| 4. GLAND PLATE FIXINGS: | / GP |
| 5. VENTED ENCLOSURE TO IP33: | / VE |

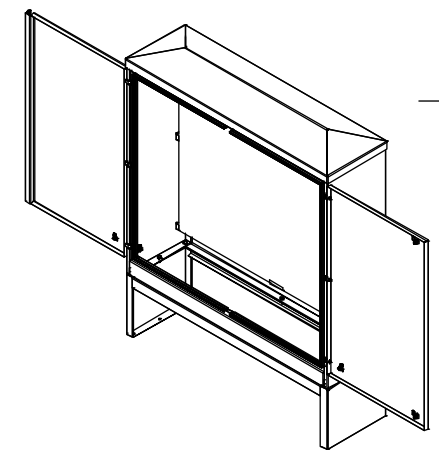
CODE EXT.

C

C



VIEW ON R.H.S



BLAKLEY PART NUMBER: S170864

D

D

E

E



CUSTOMER INFORMATION COPY

REV: -	EDR: -	MATERIAL 3.0mm MILD STEEL		SIZE
UNLESS OTHERWISE STATED:- ALL DIMENSIONS IN MM. TOLERANCES TO H30052 FIXING STANDARD TO H30051 WIRING STANDARD TO H20051 WELDING STANDARD TO QAI 61.		REF. VARIOUS	COPY ISSUED	
DO NOT SCALE THIS DRAWING. IF IN DOUBT, ASK		ORIGINAL SCALE 1:13	BLAKLEY ELECTRICS LIMITED	
TITLE		DATE 27.02.07		
GENERAL ASSY. FOR LARGE FEEDER PILLAR DD/31500/C16868-4		DRN. B.W.	DRAWING No. C16868-4	REVISION
		CHKD.		
		APPD.	SHEET 4 OF 6	

F

F

THIS DRAWING IS THE PROPERTY AND COPYRIGHT OF BLAKLEY ELECTRICS AND MUST NOT, WITHOUT THEIR WRITTEN CONSENT, BE PASSED ON, COPIED, OR USED FOR ANY OTHER PURPOSE.

1 2 3 4 5 6 7 8 A3