

## AUTOMATIC MAINS FAILURE (AMF) PANELS

A range of weatherproof AMF panels rated from 100A to 2000A to changeover automatically from Mains to Stand-by generator when the mains supply fails. Upon restoration of the mains supply the system automatically changes back and stops the stand-by generator.

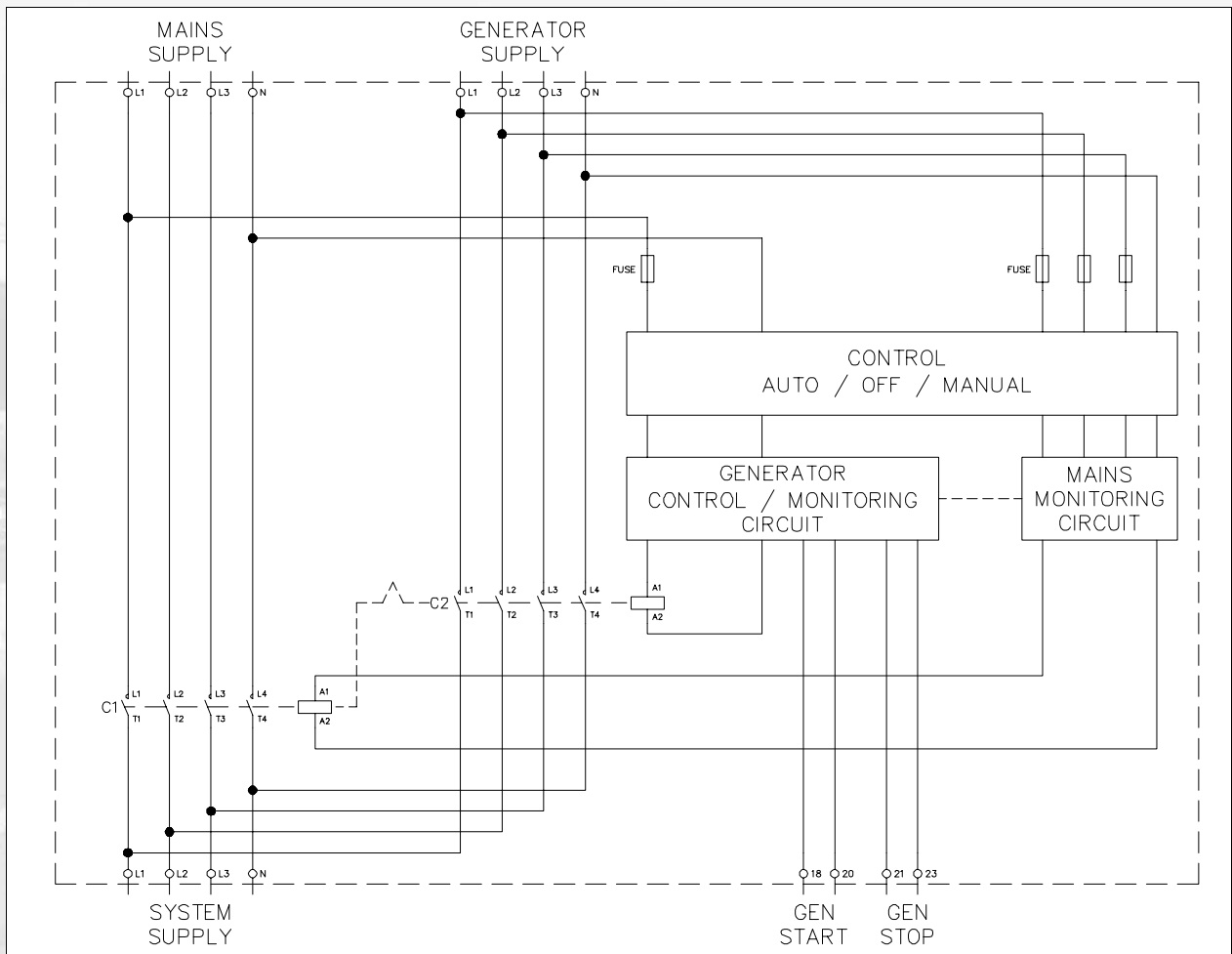
### Equipment

Fitted with 2 no. 4 pole contactors or MCCBs, mechanically and electrically interlocked, housed in a wall mounting or free-standing outdoor enclosure with cable entry and exit through the base via removable aluminium gland plates. Connection can be hard wired or via multi-pin or single-pole connectors.

### Standard Operation

The circuit is configured to send a start signal to the stand-by generator upon failure of the mains supply. The system only changes source after a pre-set time delay, which allows the generator sufficient time to run-up before taking the load. A phase sequence relay ensures that the generator supply has the correct phase rotation. Upon restoration of the mains supply the system only changes back to the mains source after a pre-set time has elapsed. Manual over-ride control is incorporated within the panel.

### Typical AMF Schematic



The standard circuit can be adapted to meet specific site requirements.

**THE POWER PROFESSIONALS**

**HIGHER POWER TRANS POWER SAFE POWER TEM POWER PRO POWER GREEN POWER**

- **SOUTH** 1 Thomas Road, Optima Park, Crayford, Kent DA1 4GA Tel: 0845 074 0084 Fax: 0845 074 0085
- **NORTH** Unit 55, Monckton Road Ind Estate, Wakefield WF2 7AL Tel: 0845 074 0086 Fax: 0845 074 0087