

Transformers for London Underground

Blakley Electrics manufactures double wound, 240:110V transformers to feed Platform Sockets, Unmanned Ticketing Machines, Hand Driers, etc. The TDC and TH series have been approved for installation in Section 12 designated locations, as well as in general purpose areas such as Depots and Workshops. PTO for details of the TH series.

TDC series

Transformer Distribution Cubicles combine a step-down, double-wound transformer with a double-pole MCB distribution arrangement. The assembly provides a 110V Reduced Low Voltage Supply (RLV) to BS 7671, with dual 55V secondary windings to LUL requirements.

Enclosure

TDC enclosures are of robust construction, floor standing, non-vented to IP55 and incorporate floor fixing and wall securing brackets. The enclosure is segregated, with separate compartments for the transformer and MCB sections. The transformer section is tool access only via tamper proof screws. The MCB section is accessed via a side or top hinged, gasketed door with quick release fasteners. Cable entry/exit is via a top mounted, removable gland plate. The enclosure has a Matt Black finish, which utilises low smoke polyester powder paint, electrostatically applied and oven dried.

Incoming Isolator

Fitted with a Polestar 100A DP Isolator

Transformer Ratings

Rated at 6 kVA for 3 hours and 4.5 kVA for 8 hours. The transformer is manufactured in accordance with BS EN 61558 Parts 1 and 4 and utilises materials with a Class F insulation rating.

Primary Volts

240 volts with off-load tapplings at 220 and 260 volts

Secondary Volts

110V line to line and 55V line to earth, in accordance with LUL drawing 2-8569-L20163 rev 5. Transformers are supplied with the main earth bond connected from B2 to earth reference A1. The connection from B1 to an independent earth is to be made by the installer at the time of installation. A wiring diagram is supplied with each transformer (extract adjacent).

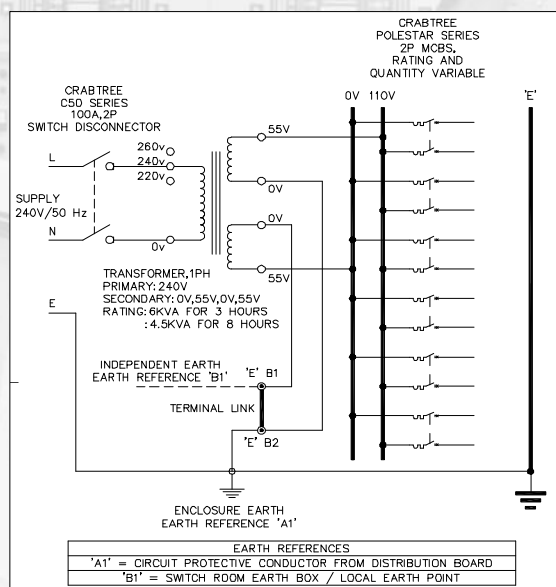
Distribution

Fitted with 6 no., 9 no. or 12 no. 32 amp, double-pole, Type "C" Polestar MCBs. Other ratings of MCB and RCDs can be incorporated, as required.

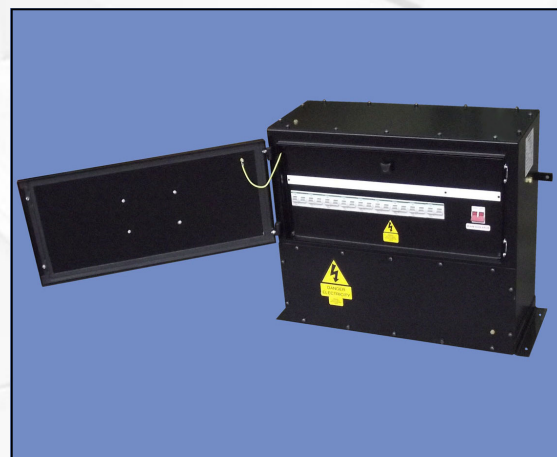
Item No.	Type	Description
S210211	TDC/6/C6/LUL	6 kVA with 6 x 32A DP MCBs
S210212	TDC/6/C9/LUL	6 kVA with 9 x 32A DP MCBs
S210213	TDC/6/C12/LUL	6 kVA with 12 x 32A DP MCBs



TDC/6/C9/LUL - Door Closed



TDC/6/C6/LUL - Wiring Diagram



TDC/6/C9/LUL - Door Open

THE POWER PROFESSIONALS

HIGHER POWER TRANS POWER SAFE POWER TEM POWER PRO POWER GREEN POWER

THE COMPANY RESERVES THE RIGHT TO CHANGE PRODUCTS WITHOUT PRIOR NOTICE.



Cert. No. 002091

TRPDS11 - 04/12

TH series

Standard TH series transformers are stocked in ratings of 2 kVA and 6 kVA but other ratings can also be supplied. They provide a 110 volt Reduced Low Voltage Supply (RLV) to BS 7671 and employ a transformer with dual 55V secondary windings to LUL specification. Different combinations of MCB, RCD and socket-outlet can be incorporated. The transformers are suitable for installation in Section 12 designated locations, as well as in locations such as Depots and Workshops.

Enclosure

Enclosures are non-vented to IP55 and incorporate wall and floor mounting brackets. They are of robust construction and fabricated from mild steel, seam welded with a hot dip galvanized finish to BS 729.

A top hinged, gasketed, metal dolly cover with quick release fastener protects the MCBs and maintains the IP55 rating when fastened.

Rating

Continuously rated at 2 kVA or 6 kVA the transformer is manufactured in accordance with BS EN 61558 Parts 1 and 4 and is fabricated from materials with a Class F insulation rating. Other ratings can be supplied to order.

Primary Volts

240 volts with off-load tappings at 220 and 260 volts

Secondary Volts

110V line to line and 55V line to earth, in accordance with LUL drg. 2-8569-L20163 rev 5. Transformers are supplied with the main earth bond connected from B2 to earth reference A1. The connection from B1 to an independent earth is to be made by the installer at the time of installation. A wiring diagram is supplied with each transformer. See adjacent extract from the diagram.

Distribution

Fitted with double-pole, Type "C" Polestar MCBs and metal clad 16A 110V IP44 socket, as detailed below. Other combinations are available to order.

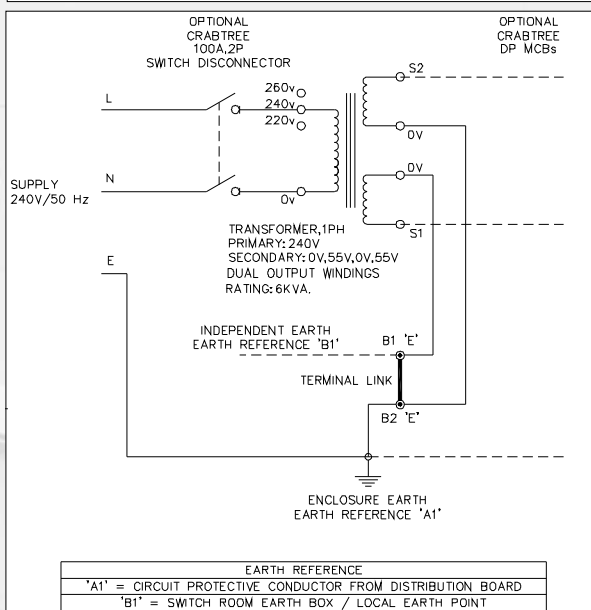
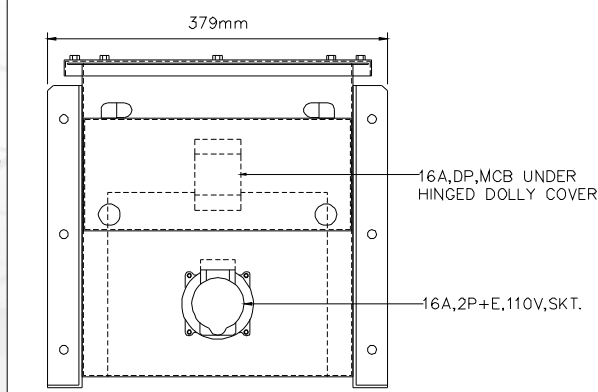
Item No.	Type	Description
S210209	TH/1/2/C1/GALV/LUL	2 kVA with 1 x 16A DP MCB
S210037	TH/1/2/C1-S1/GALV/LUL	2 kVA with 1 x 16A DP MCB & Socket
S210210	TH/1/6/C2/GALV/LUL	6 kVA with 2 x 32A DP MCBs

Tunnel Power Transformers and Site Transformers

Blakley Electrics also manufactures the LUL Approved 6 kVA, three-phase, 415:110V Tunnel Power Transformer fitted with 16A 3P and 32A 4P 110V socket outlets. Over 5000 of these assemblies are installed in LUL tunnels.

In addition we manufacture Site Transformers to BS4363:1998 to provide 110V RLV supplies for temporary power and lighting.

2 kVA Transformer complete with 16A socket



TH series transformers, 2 to 6 kVA

- **SOUTH** 1 Thomas Road, Optima Park, Crayford, Kent DA1 4GA Tel: 0845 074 0084 Fax: 0845 074 0085
 - **NORTH** Unit 55, Monckton Road Ind Estate, Wakefield WF2 7AL Tel: 0845 074 0086 Fax: 0845 074 0087
- www.blakley.co.uk • sales@blakley.co.uk

BLAKLEY
ELECTRICS