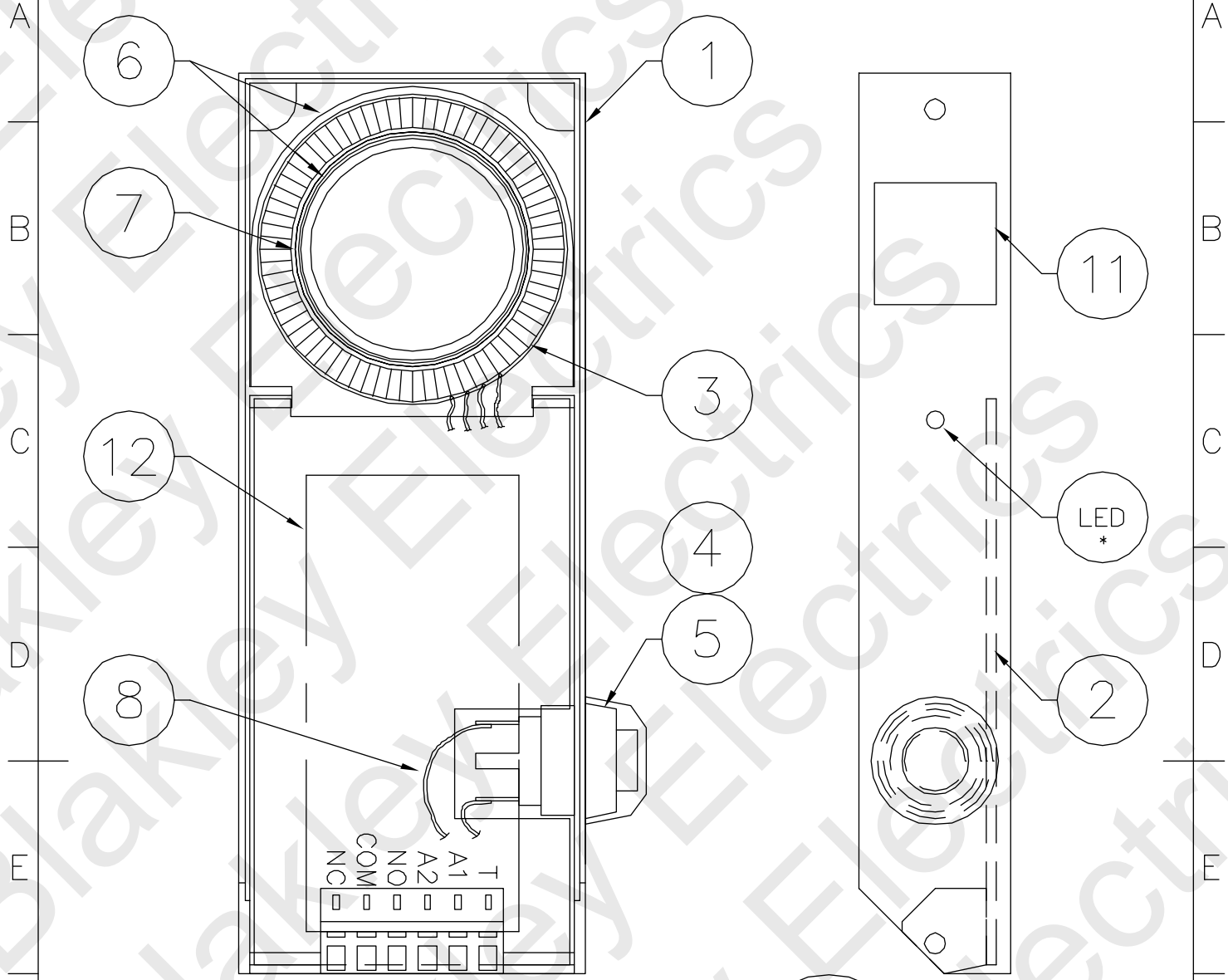


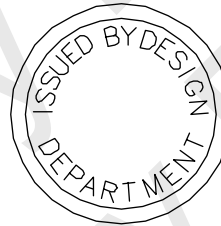
1 | 2 | 3 | 4 | 5 | 6

THIS DRAWING IS THE PROPERTY AND COPYRIGHT OF BLAKLEY ELECTRICS AND MUST NOT, WITHOUT THEIR WRITTEN CONSENT, BE PASSED ON, COPIED, OR USED FOR ANY OTHER PURPOSE.



NOTES:

- ITEMS 9 & 10 FITTED ON PCB ASSEMBLY (ITEM 2) AS REQUIRED
- ITEM 13 USED TO SECURE ENCLOSURE LID IN POSITION
- ITEMS 14 & 15 NO LONGER USED
- ITEMS 16 - 21, 23 & 24 FITTED ON PCB ASSEMBLY AS REQUIRED
- ITEM 22 DIODE 'D2' (IN4148) CONNECTED IN SERIES WITH 'C3' WHEN THE LATTER IS FITTED (CATHODE TO C3)
- CT (ITEM 3) CONNECTIONS AS FOLLOWS: VIOLET TO P1, WHITE TO P2, BLACK TO P3 AND BLUE TO P4
- * LED ITEM 25 FITTED ON FINAL ASSY ON 110v & 240v UNITS AND AS PART OF PCB ON 415v UNITS



CUSTOMER INFORMATION COPY

REV: A											
EDR: 1962											
UNLESS OTHERWISE STATED:- ALL DIMENSIONS IN MM. TOLERANCES TO H30052 FIXING STANDARD TO H30051 WIRING STANDARD TO H20051 WELDING STANDARD TO QAI 61.						MATERIAL		SIZE			
DO NOT SCALE THIS DRAWING. IF IN DOUBT, ASK						REF. PL1507		COPY ISSUED			
						ORIGINAL SCALE 1:1					
TITLE						DATE. 13/07/94					
GENERAL ASSEMBLY ELS SENSOR						DRN. MC		E4771			
						CHKD.		A			
						APPD.		SHEET 1 OF 1			

1 | 6 A4