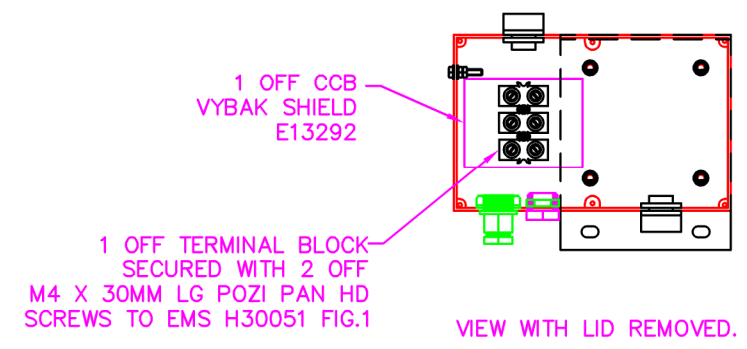
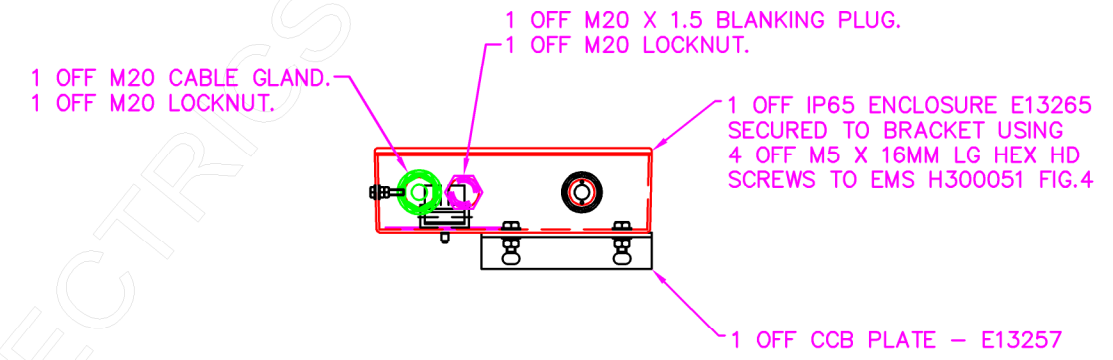
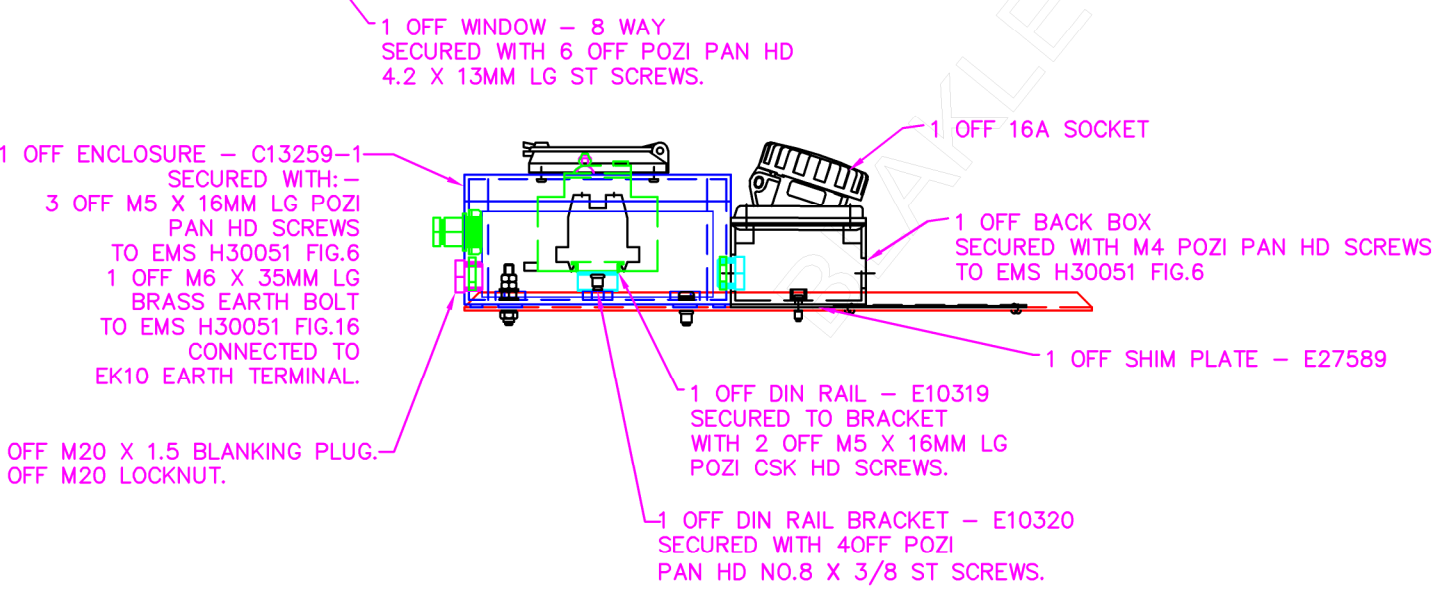
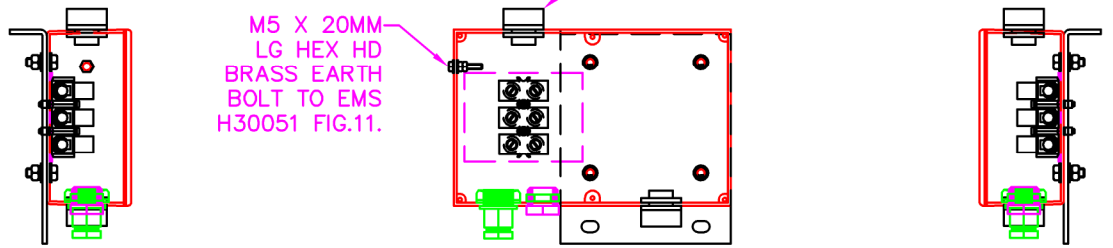
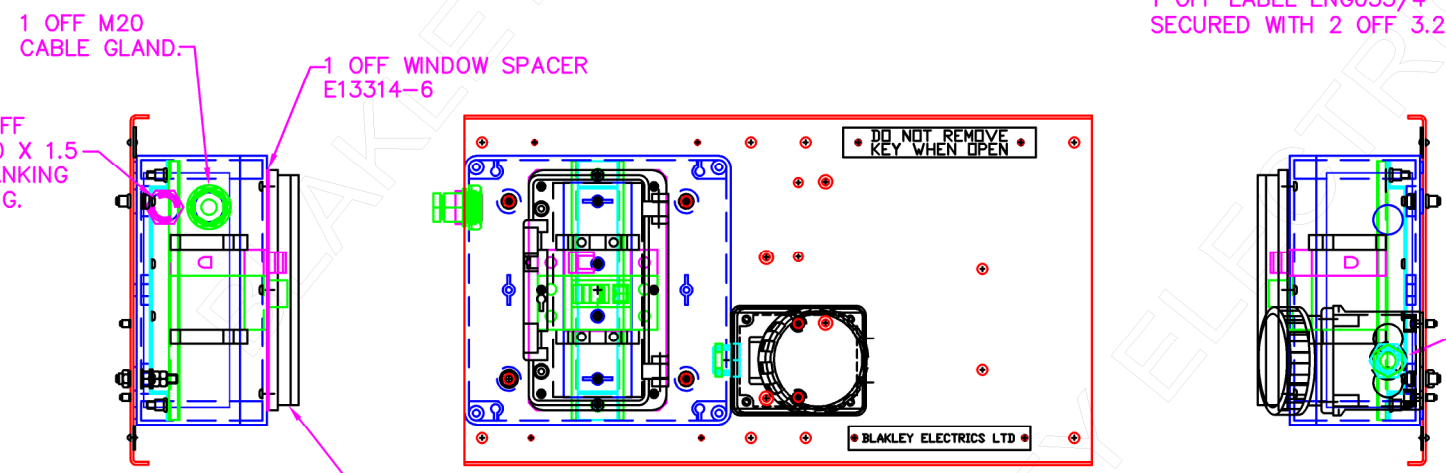


VIEW WITH WINDOW REMOVED.



VIEW WITH LID REMOVED.



CABLE CHANGE BOX ASSEMBLY.

16AMP 110V OR 240V
1 WAY GMDA SOCKET PLATE

CUSTOMER INFORMATION COPY

THIS DRAWING IS THE PROPERTY AND COPYRIGHT OF BLAKLEY ELECTRICS AND MUST NOT, WITHOUT THEIR WRITTEN CONSENT, BE PASSED ON, COPIED, OR USED FOR ANY OTHER PURPOSE. THIS COPY IS UNCONTROLLED UNLESS OTHERWISE MARKED.

REV: A	B	C	D	E	F	G	H	I	J
DATE: 03/03	07/01								
UNLESS OTHERWISE STATED:- ALL DIMENSIONS IN MM. TOLERANCES TO H30052. FIXING STANDARD TO H30051. WIRING STANDARD TO H20051. WELDING STANDARD TO QAI 61.									
DO NOT SCALE THIS DRAWING. IF IN DOUBT, ASK.									
MATERIAL: MILD STEEL		SIZE:							
REF.:		COPY ISSUED:							
ORIGINAL SCALE: 1:2.5		DATE: 01.03.16							
DRN: JET		DRAWING No. A13379							
CHKD:		REVISION: B							
APPD:		SHEET 2 of 5							
TITLE: SOCKET ASSEMBLY & CABLE CHANGE BOX GDA/OC/RCD/230/S1-16									