

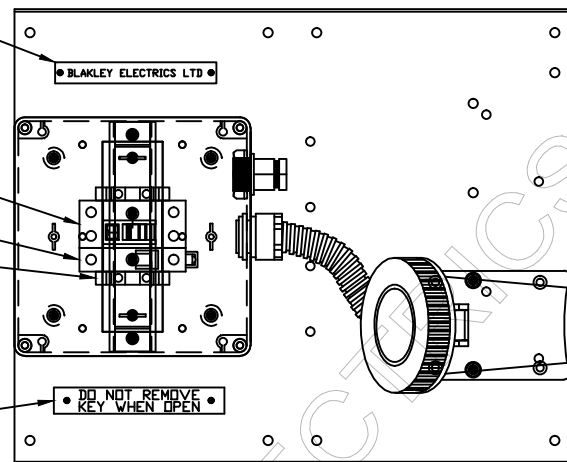
1 2 3 4 5 6 7 8 9 10 11 12

A
B
C
D
E
F
G
H

A
B
C
D
E
F
G
H

VIEW WITH WINDOW REMOVED.

1 OFF LABEL ENG035/4
SECURED WITH 2 OFF 3.2MM RIVETS



1 OFF RCCD 40A 30mA DP
1 OFF MCB SP 32A.
2 OFF EARTH TERMINAL EK10/35

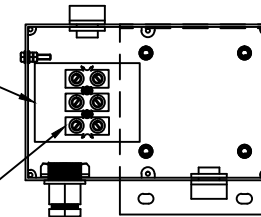
1 OFF SOCKET PLATE - C22631

1 OFF 32A SOCKET
SECURED WITH:-
2 OFF M5 X 16MM LG
POZI PAN HD SCREWS
TO EMS H30051 FIG.6.

1 OFF LABEL - E10410
SECURED WITH 2 OFF 3.2MM RIVETS

DO NOT REMOVE
KEY WHEN OPEN

1 OFF CCB VYBAK SHIELD - E13292

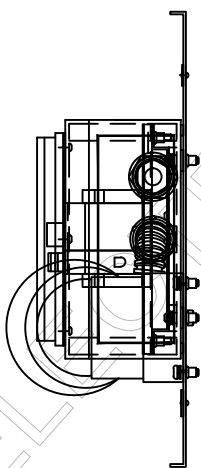
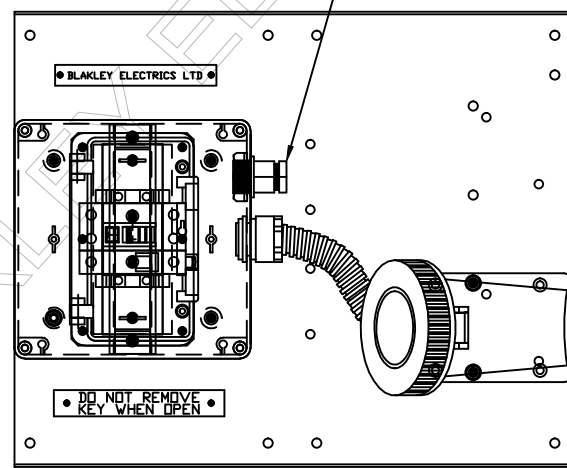
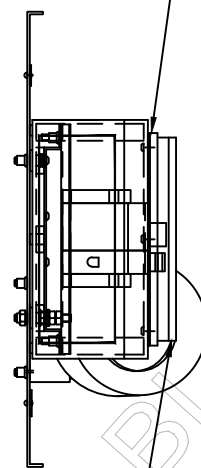


1 OFF TERMINAL BLOCK
SECURED WITH 2 OFF
M3 X 25MM LG POZI PAN HD
SCREWS TO EMS H30051 FIG.1

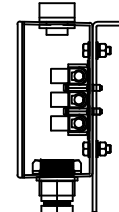
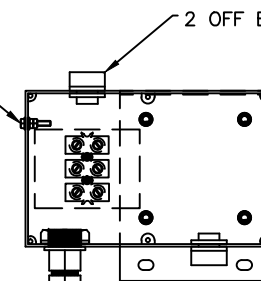
VIEW WITH LID REMOVED.

1 OFF WINDOW SPACER
E13314-6

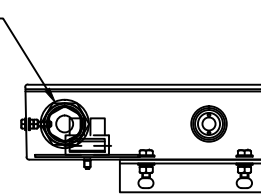
1 OFF M25 CABLE GLAND.
1 OFF M25 LOCKNUT.



M5 X 20MM
LG HEX HD
BRASS EARTH
BOLT TO EMS
H30051 FIG.11.



1 OFF M25 CABLE GLAND.
1 OFF M25 LOCKNUT.

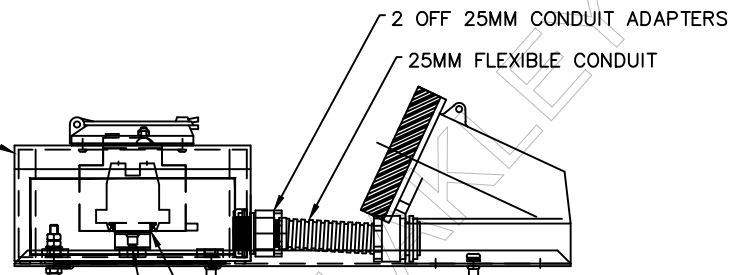


1 OFF IP65 ENCLOSURE - E13440
SECURED TO BRACKET USING
4 OFF M6 X 16MM LG HEX HD SCREWS
TO EMS H30051 FIG.4

1 OFF CCB PLATE - E13257

1 OFF WINDOW - 8 WAY
SECURED WITH 6 OFF POZI PAN HD
4.2 X 13MM LG ST SCREWS.

1 OFF ENCLOSURE - C13259-2
SECURED WITH:-
3 OFF M5 X 16MM LG POZI
PAN HD SCREWS
TO EMS H30051 FIG.6
1 OFF M6 X 35MM LG
BRASS EARTH BOLT
TO EMS H30051 FIG.16
CONNECTED TO
EK10 EARTH TERMINAL.



1 OFF DIN RAIL - E10319
SECURED TO BRACKET
WITH 2 OFF M5 X 16MM LG
POZI CSK HD SCREWS.

1 OFF DIN RAIL BRACKET - E10320
SECURED WITH 4 OFF POZI
PAN HD NO.8 X 3/8 ST SCREWS.

CABLE CHANGE BOX ASSEMBLY.

32AMP 110V OR 240V
1 WAY GIFA SOCKET PLATE
LIFT OU LID.

THIS DRAWING IS THE PROPERTY AND COPYRIGHT OF BLAKLEY ELECTRICS AND MUST NOT, WITHOUT THEIR WRITTEN CONSENT, BE PASSED ON, COPIED, OR USED FOR ANY OTHER PURPOSE. THIS COPY IS UNCONTROLLED UNLESS OTHERWISE MARKED.

| | | | | | | | | | | | | | | | |
|---|--|--|--|--|--|--|--|--|--|--------------------------|--|------------------------------|--|--|--|
| REV: - | | | | | | | | | | | | | | | |
| EDR: - | | | | | | | | | | | | | | | |
| UNLESS OTHERWISE STATED:- ALL DIMENSIONS IN MM. TOLERANCES TO H30052 FIXING STANDARD TO H30051 WIRING STANDARD TO H20051 WELDING STANDARD TO QAI 61. | | | | | | | | | | MATERIAL MILD STEEL | | SIZE | | | |
| DO NOT SCALE THIS DRAWING. IF IN DOUBT, ASK | | | | | | | | | | REF. | | COPY ISSUED | | | |
| TITLE SOCKET ASSEMBLY & CABLE CHANGE BOX GFA/OC/RCD/230/S1-32 | | | | | | | | | | ORIGINAL SCALE 1:4 | | BLAKLEY ELECTRICS LIMITED | | | |
| | | | | | | | | | | DATE 31/10/13 | | DRAWING No. B23664 | | | |
| | | | | | | | | | | DRN. JET | | REVISION | | | |
| | | | | | | | | | | CHKD. | | | | | |
| | | | | | | | | | | APPD. | | SHEET 4 OF 5 | | | |

1 2 3 4 5 6 7 8 9 10 11 12

A2