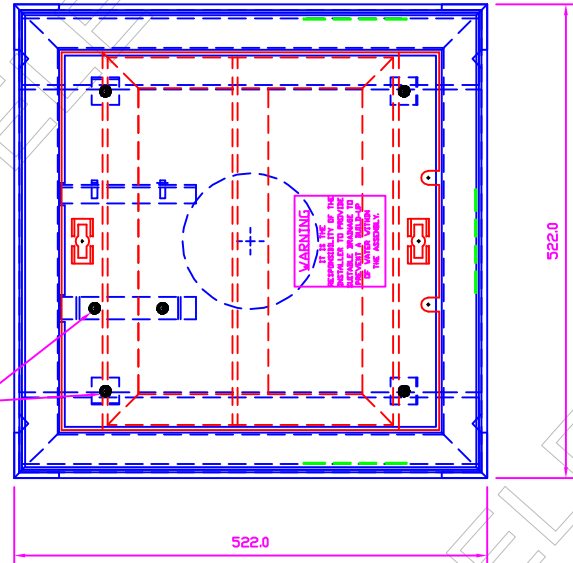
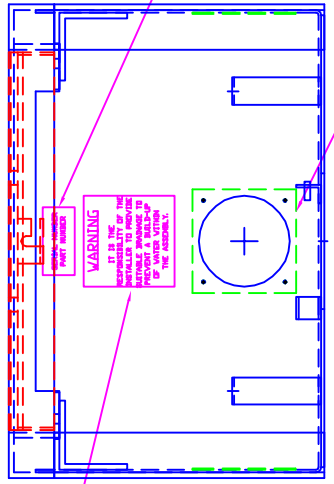


CCB & SOCKET PLATE
FIXING HOLES AND
TO BE POPULATED WITH
M6 NUSERTS. THE
NUSERTS SHOULD BE
GREASED.FOLLOWING
FIXINGS SUPPLIED:-
M6 X 20MM HEX HD
SCREWS TO EMS H30051
FIG.2.



VIEW WITH LID IN PLACE

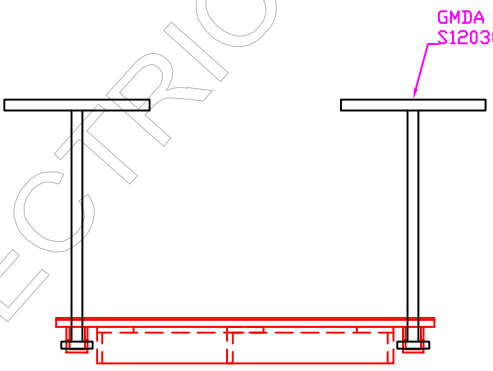
WARNING LABEL MUST BE ADHERED INSIDE
AND OUTSIDE ENCLOSURE.



VIEW WITH LID REMOVED

RATING PLATE LABEL TO BE
ADHERED IN THIS POSITION

BLANKING PLATE E14648 TO BE SECURED TO THE INSIDE OF
THE ENCLOSURE USING 4 OFF 3.2MM DIA RIVETS



GMDA LIFTING KEY
S120303

NOTES:-

- 1) PLEASE ENSURE ALL SHARP CORNERS AND DRIPS ARE REMOVED FROM THE GALVANIZING PROCESS. IF ANY BARE METAL IS EXPOSED IT SHOULD BE PAINTED WITH GALVAFROID.
- 2) PLEASE ENSURE THAT THE LID IS FITTED SQUARE AND OPENS AND CLOSES SMOOTHLY. IF ANY GALVANIZING IS TO BE REMOVED FROM THE OPERATING RADIUS OF THE LID PLEASE DO THIS BEFORE BUILDING THE UNIT'S UP COMPLETELY.
- 3) ALL FIXINGS AND FIXTURES TO BE STAINLESS STEEL WHERE POSSIBLE, ALUMINIUM RIVETS TO BE USED.

CUSTOMER
INFORMATION
COPY



| | | | | | | | | | | | | | | | |
|---------------------------------------------------------------------------------------------------------------------------------------------------------------------|------|------|------|--|--|--|--|--|--|----------------|--|--------------|--|--|--|
| REV: | A | B | C | | | | | | | | | | | | |
| EDR: | 6064 | 6443 | 6576 | | | | | | | | | | | | |
| UNLESS OTHERWISE STATED:- ALL DIMENSIONS IN MM. TOLERANCES TO H30052 FIXING STANDARD TO H30051 WIRING STANDARD TO H20051 WELDING STANDARD TO QAI 61. | | | | | | | | | | MATERIAL | | MILD STEEL | | | |
| DO NOT SCALE THIS DRAWING. IF IN DOUBT, ASK | | | | | | | | | | REF. | | COPY ISSUED | | | |
| TITLE | | | | | | | | | | ORIGINAL SCALE | | 1:6 | | | |
| ENCLOSURE DETAILS | | | | | | | | | | DATE. | | 16.06.15 | | | |
| IGA | | | | | | | | | | DRN. | | JET | | | |
| IGA/SD/2W | | | | | | | | | | CHKD. | | B24045 | | | |
| | | | | | | | | | | APPD. | | SHEET 1 OF 5 | | | |
| | | | | | | | | | | DRAWING No. | | B24045 | | | |
| | | | | | | | | | | REVISION | | C | | | |