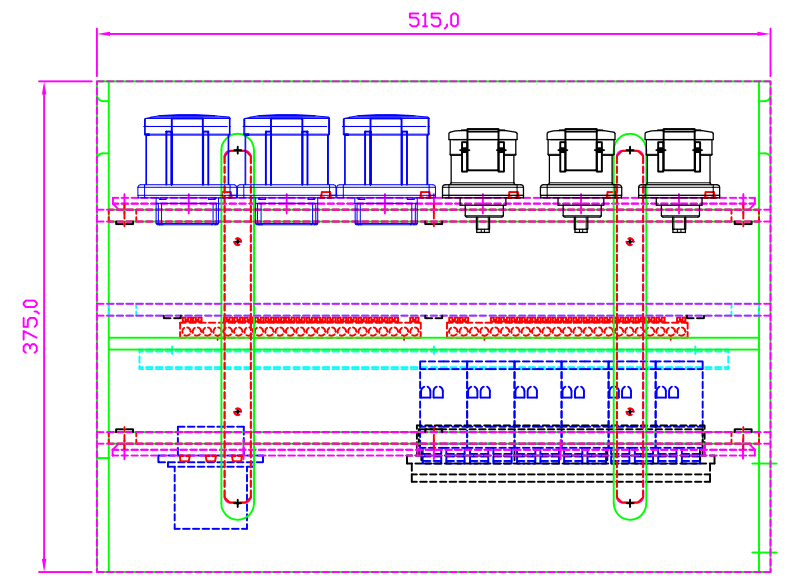


1 2 3 4 5 6 7 8 9 10 11 12

A  
B  
C  
D  
E  
F  
G  
H

A  
B  
C  
D  
E  
F  
G  
H



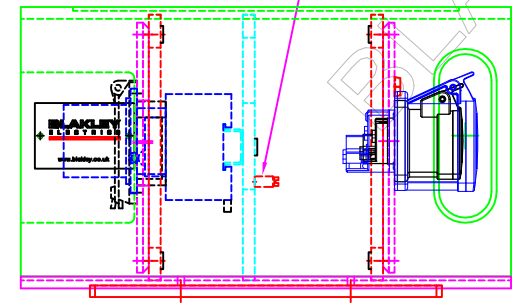
3x 16A DP RCBOs  
3x 32A DP RCBOs

1x 32A 400V  
TP+N+E  
APPLIANCE INLET  
3x INDICATORS

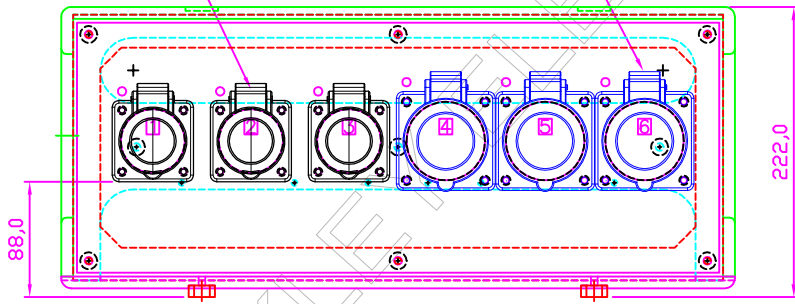
3x 16A SP+N+E 230V  
SOCKET OUTLETS  
3x INDICATOR

3x 32A SP+N+E 230V  
SOCKET OUTLETS  
3x INDICATOR

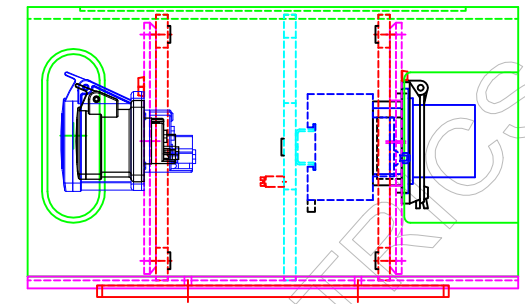
1x 20 HOLE EARTH BAR  
1x 20 HOLE NEUTRAL BAR



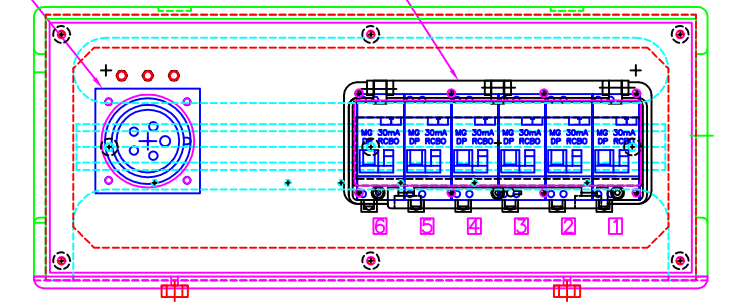
VIEW ON SIDE



VIEW ON SOCKET PLATE



VIEW ON SIDE



VIEW ON AI/RCBO PLATE



CUSTOMER  
INFORMATION  
COPY

DERIVED FROM B18142

REV: A	B													
EDR: 6372	7048													
UNLESS OTHERWISE STATED:- ALL DIMENSIONS IN MM. TOLERANCES TO H30052 FIXING STANDARD TO H30051 WIRING STANDARD TO H20051 WELDING STANDARD TO QAI 61.										MATERIAL		SIZE		
DO NOT SCALE THIS DRAWING. IF IN DOUBT, ASK										REF. STANDARD		COPY ISSUED		
TITLE IDA P10/A1-32 400V/S6 GENERAL ASSEMBLY										ORIGINAL SCALE 1:4		BLAKLEY ELECTRICS LIMITED		
										DATE 24/01/17		DRAWING No. B24507		
										DRN. B.W.		REVISION B		
										CHKD.				
										APPD.		SHEET 1 OF 1		

THIS DRAWING IS THE PROPERTY AND COPYRIGHT OF BLAKLEY ELECTRICS AND MUST NOT, WITHOUT THEIR WRITTEN CONSENT, BE PASSED ON, COPIED, OR USED FOR ANY OTHER PURPOSE. THIS COPY IS UNCONTROLLED UNLESS OTHERWISE MARKED.

1 2 3 4 5 6 7 8 9 10 11 12

A2