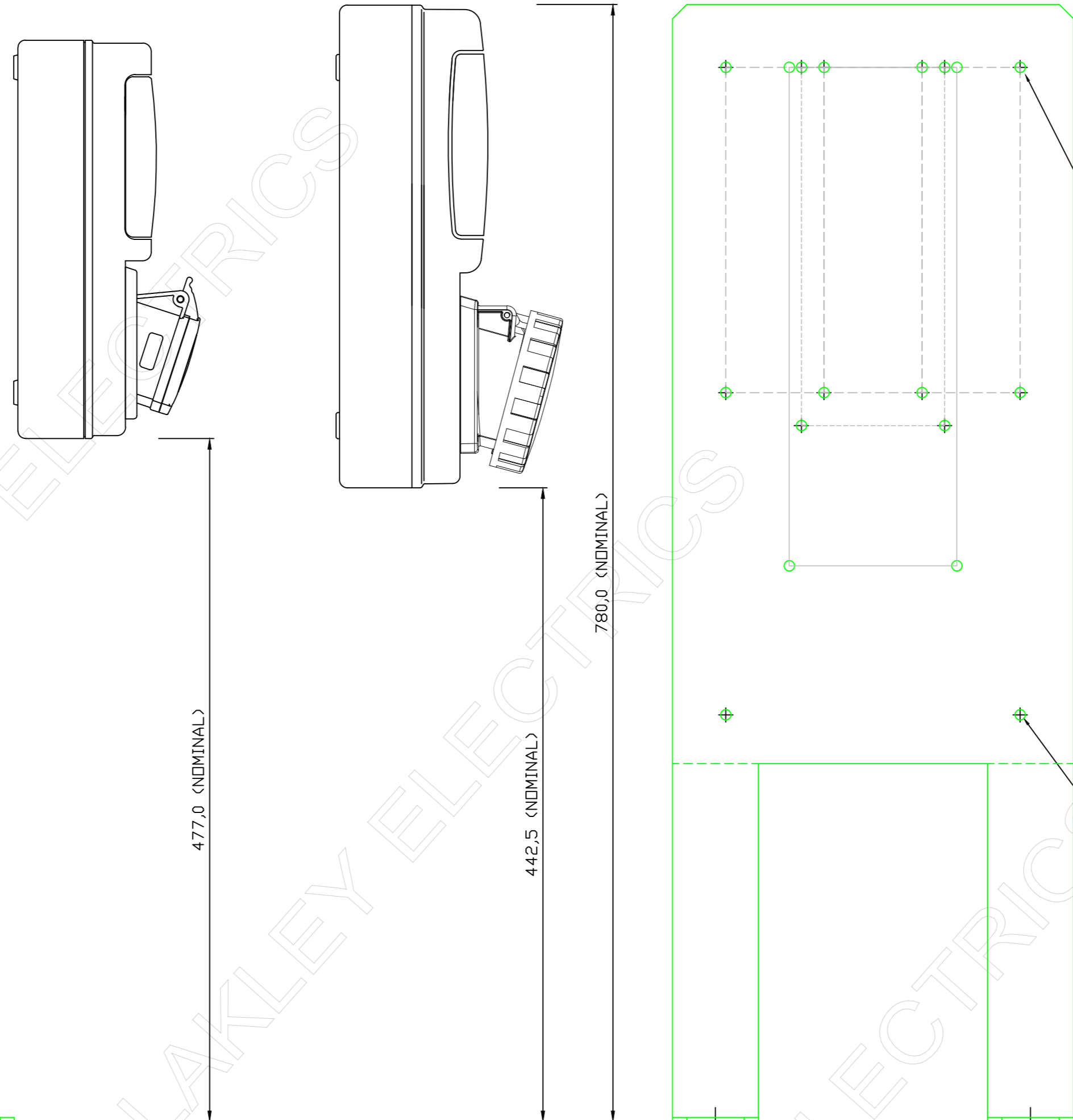


16A/32A
230V/400V
3P/5P

63A
230V/400V
3P/5P



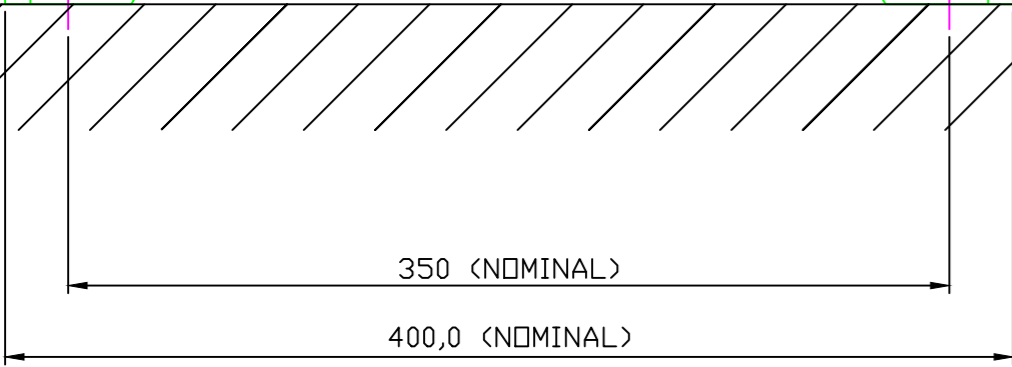
NUTSERTED
POSITIONS
WILL FORM
REAR PLATE

NUTSERT 13
POSITIONS
ON REAR
PLATE TO
M5

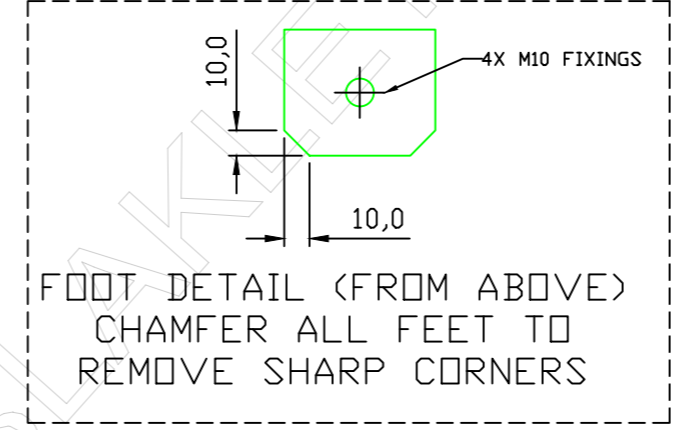
DO NOT
NUTSERT
THIS
POSITION.
THIS HOLE
TO BE USED
FOR M6 x
25mm BRASS
EARTH

NOTES

- THE BACKPLATE CAN ACCOMMODATE THE FOLLOWING ARRANGEMENTS:
1. FOR 16A OR 32A UNITS UP TO 2 UNITS MAY BE FITTED SIDE BY SIDE OR ONE UNIT CENTRALLY MOUNTED. (AS DEPICTED DASHED OUTLINE).
 2. FOR 63A UNITS, ONE UNIT CAN BE MOUNTED CENTRALLY ON THE PLATE. (AS DEPICTED WITH DOTTED OUTLINE).
 3. FINISHED ITEM TO COMPRISE OF TWO PIECES AS SHOWN BACK TO BACK
 4. FIXING KIT TO BE SEALED IN BAG AND ATTACHED TO STAND USING CABLE TIE PROVIDED IN THE KIT.



NOMINAL DISTANCE FROM GROUND TO UNDERSIDE OF THE ENCLOSURE (ABOVE)



CUSTOMER INFORMATION COPY

REV:	A	B															
EDR:	7109	7558															
UNLESS OTHERWISE STATED:- ALL DIMENSIONS IN MM. TOLERANCES TO H30052												MATERIAL	3mm PRE-GALV	SIZE			
FIXING STANDARD TO H30051 WIRING STANDARD TO H20051 WELDING STANDARD TO QAI 61.												REF.		COPY ISSUED			
DO NOT SCALE THIS DRAWING. IF IN DOUBT, ASK												ORIGINAL SCALE	1:3	BLAKLEY ELECTRICS LIMITED			
TITLE												DATE:	09.01.2019		DRAWING No.	B30039	REVISION
ERC STAND ASSEMBLY NOTES												DRN.	MW	SHEET	1 OF 1		
												CHKD.					
												APPD.					

THIS DRAWING IS THE PROPERTY AND COPYRIGHT OF BLAKLEY ELECTRICS AND MUST NOT, WITHOUT THEIR WRITTEN CONSENT, BE PASSED ON, COPIED, OR USED FOR ANY OTHER PURPOSE. THIS COPY IS UNCONTROLLED UNLESS OTHERWISE MARKED.