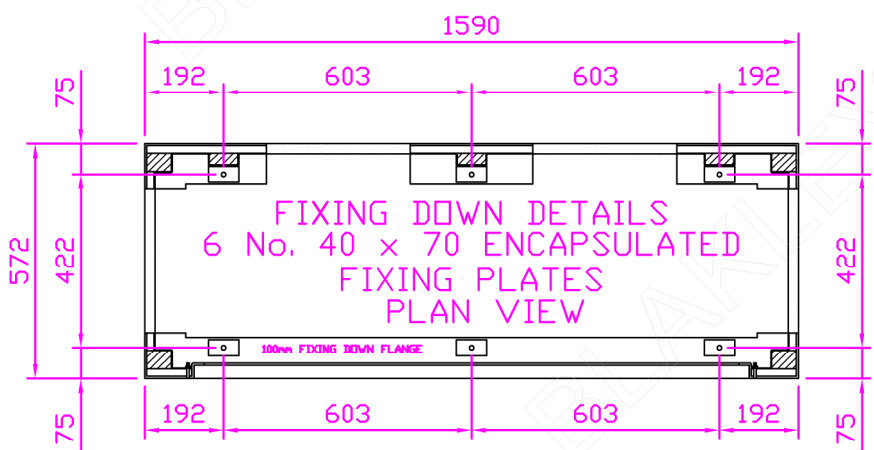


FRONT ELEVATION

FRONT ELEVATION (DOORS REMOVED)

NOTES

1. S030053 CTC/ARC400/LR CT CHAMBER/RCD 400A COMBINED, MOUNTED AS HIGH AS POSSIBLE WITHIN S050472 ISIA.
2. INCOMING AND OUTGOING CONNECTIONS BOTH VIA M12 STUDS.
3. ASSEMBLY TO BE BOLTED DOWN IN POSITION FOR STABILITY.
4. OVERALL WEIGHT - 285kg.



CUSTOMER INFORMATION COPY

REV:	A	B																			
EDR:	6341	7626																			
UNLESS OTHERWISE STATED:- ALL DIMENSIONS IN MM. TOLERANCES TO H30052 FIXING STANDARD TO H30051 WIRING STANDARD TO H20051 WELDING STANDARD TO QAI 61.										MATERIAL		SIZE									
DO NOT SCALE THIS DRAWING. IF IN DOUBT, ASK										REF. S201128		COPY ISSUED									
TITLE GENERAL ASSEMBLY ISIA/400 c/w CTC/ARC400										ORIGINAL SCALE 1:18											
										DATE 18/02/19											
										DRN. JML		DRAWING No. C23395					REVISION B				
										CHKD.		SHEET 1 OF 1									
										APPD.											

THIS DRAWING IS THE PROPERTY AND COPYRIGHT OF BLAKLEY ELECTRICS AND MUST NOT WITHOUT THEIR WRITTEN CONSENT BE PASSED ON, COPIED, OR USED FOR ANY OTHER PURPOSE. THIS COPY IS UNCONTROLLED UNLESS OTHERWISE MARKED.