

1 2 3 4 5 6 7 8

A

B

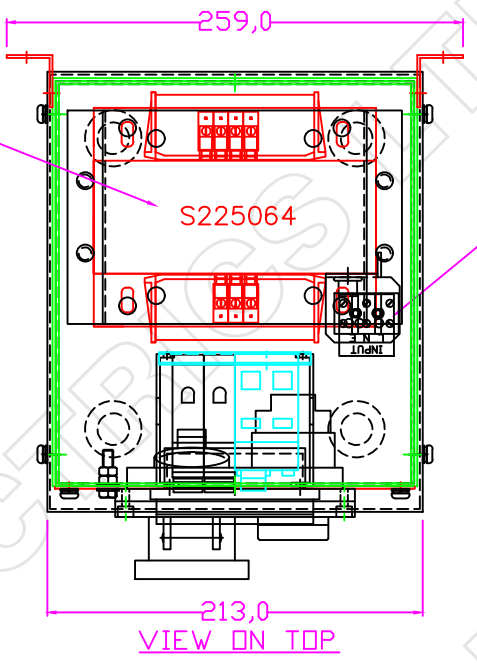
C

D

E

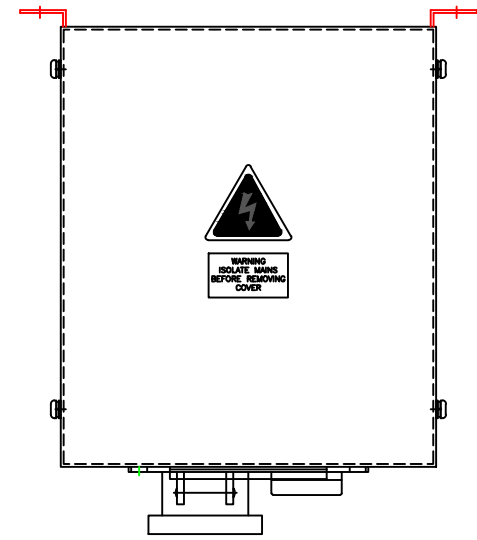
F

TRANSFORMER:
2kVA 1PH
PRI:220V/230V/240V
SEC:110V CTE

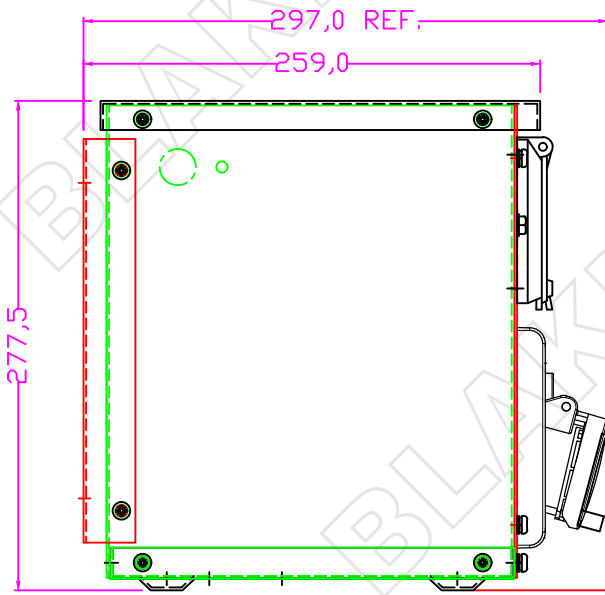


VIEW ON TOP

INCOMING TERMINAL
BLOCK ACCEPTS
6mm² MAX



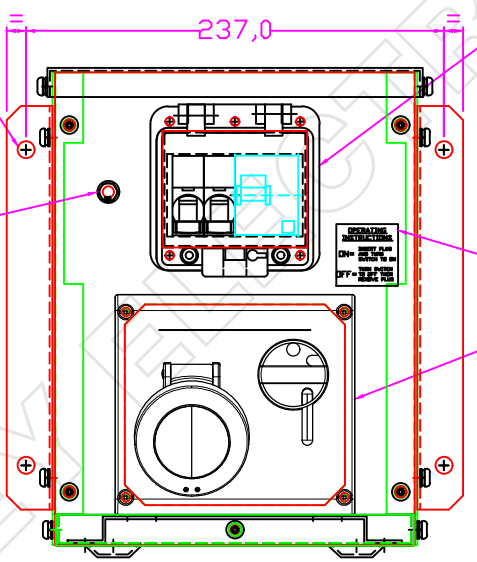
LID LABELING DETAILS



VIEW ON L.H.S

IN 4 POSNS
M8 CLEARANCE WALL
MOUNTING POINTS

FRONT PANEL EARTH

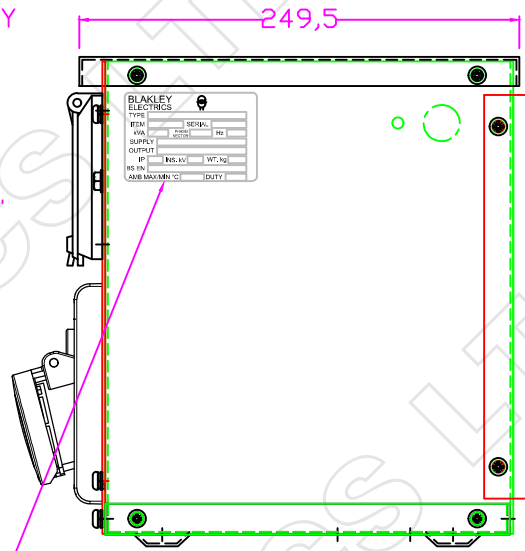


VIEW ON FRONT

SWITCHGEAR PROTECTED BY
HINGED WINDOW
(LEFT TO RIGHT)
16A DP TYPE 'C' MCB
& 25A DP 30mA RCCB
FEEDING 16A 110V
SW/INTERLOCKED SOCKETS.

OPERATING INSTRUCTION
LABEL

16A 2P+E 110V IP44
SW/INTERLOCKED
SOCKET
(SWITCH CONTROLS
THE TRANSFORMER
INPUT)



VIEW ON R.H.S

RATING PLATE

**CUSTOMER
INFORMATION
COPY**

NOTES:

- OVERALL IP RATING OF ASSEMBLY: IP44
- ENCLOSURE FINISH: ZINC PHOSPHATE PRE-TREATMENT FOLLOWED BY POLYESTER POWDER COAT, SHADE DARK ADMIRALTY GREY (BS4800 REF. 18B25).
- APPROXIMATE OVERALL WEIGHT OF ASSEMBLY: 23kg

REV:	A								
EDR:	8666								
UNLESS OTHERWISE STATED:- ALL DIMENSIONS IN MM. EWM REFERS TO ENGINEERING & WORKSHOP MANUAL TOLERANCES TO EWM SECTION 3.1.3 FIXING STD TO EWM APPENDIX D. WIRING STD EWM SECTION 4. WELDING STANDARD TO QAI 061.						MATERIAL		BASED ON	
DO NOT SCALE THIS DRAWING. IF IN DOUBT, ASK						REF. S210385		COPY ISSUED 18 Apr 2024	
TITLE						ORIGINAL SCALE 1:4			
GENERAL ASSY ECO-Tx/2/C1-RCD/ Si1-16/IP44						DATE 15/04/24			
						DRN. A.H		DRAWING No. C34397	
						CHKD.		REVISION A	
						APPD. BWA			

THIS DRAWING IS THE PROPERTY AND COPYRIGHT OF BLAKLEY ELECTRICS AND MUST NOT WITHOUT THEIR WRITTEN CONSENT BE PASSED ON, COPIED, OR USED FOR ANY OTHER PURPOSE. THIS COPY IS UNCONTROLLED UNLESS OTHERWISE MARKED.

1 2 3 4 5 6 7 8 A3